



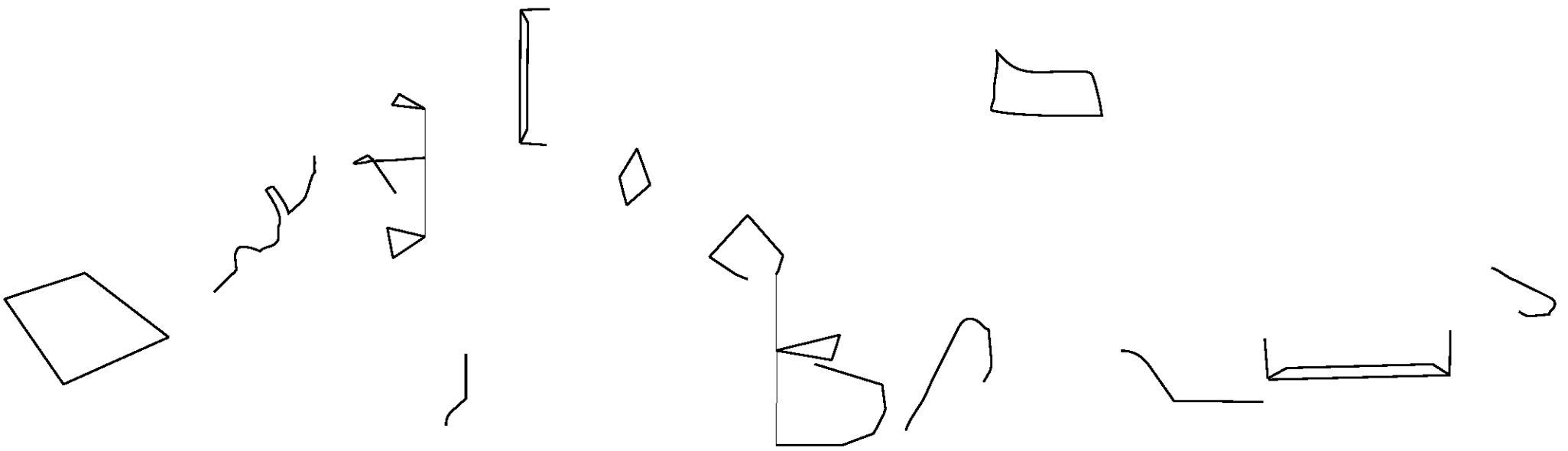
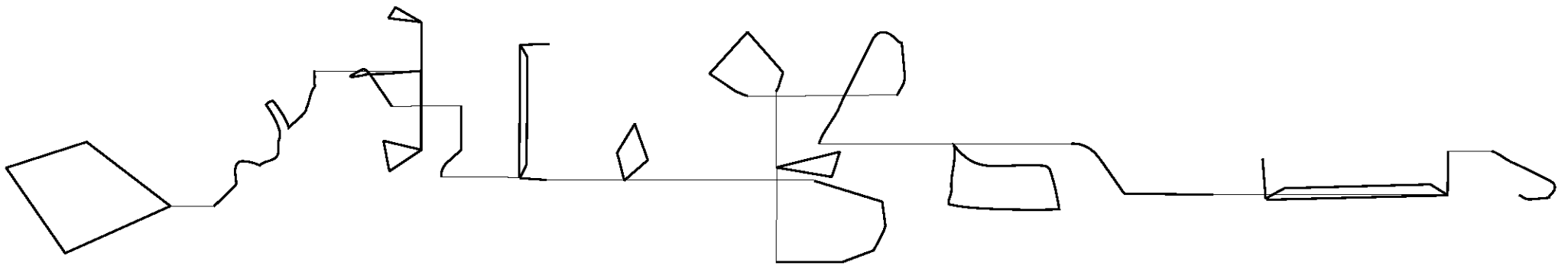
EMPAC

HANNAH RICKARDS

THU / SEPT 29 / 7:00 + 8:00 PM



One can
make out the
surface
only by
placing any
dark-colored
object on the
ground



EMPAC

The Curtis R Priem Experimental Media and Performing Arts Center (EMPAC) is where the arts, sciences, and technology interact with and influence each other by using the same facilities and technologies, and by breathing the same air.

EMPAC hosts artists and researchers to produce and present new work in a building designed with a sophisticated architectural and technical infrastructure. Four exceptional venues and studios enable audiences, artists, and researchers to inquire, experiment, develop, and experience the ever changing relationship between ourselves, technology, and the worlds we create around us.



One can make out the surface only by placing any dark-colored object on the ground

Hannah Rickards

One can make out the surface only by placing any dark-colored object on the ground is a performance that uses navigational techniques to choreograph the interaction of a moving camera with two performers.

The title refers to how one can travel in polar whiteout conditions by placing an object on the ground and continuing to place the object in front of you as you move forward. By this successive act, a pattern is formed, which can be viewed as a visual score for performance. Inspired by the graphic scores of Morton Feldman that explore musical composition as spatial terrain, London-based artist Hannah Rickards approaches the media infrastructure of EMPAC's Studio 1 in a similar fashion. A cable-suspended camera is maneuvered throughout the space in relation to the performers, capturing wide aerial shots as well as close-up detail of their gestures.

This performance has been developed specifically for the production space of Studio 1 and will be the only time this work will be performed live. This evening's program will explore what is "off-screen" by moving between a cinema and a performance or live-capture environment.

PRODUCTION CREDITS

Artist/Director: Hannah Rickards
Performers: Catriona James and Ted Schmitz
Production Coordinator: Asta Meldal Lynge
Technical Director: Eric Lin
Director of Photography: Ryan Jenkins
Audio Engineer: Stephen McLaughlin
Lighting Director and 1st AC: Alena Samoray
Lead Video Engineer: Eric Brucker
Video Engineer: Mick Bello
Director of Stage Technologies: Geoff Abbas

HANNAH RICKARDS

Hannah Rickards (b. 1979) is a London-based artist. She is a current awardee of the Philip Leverhulme Prize in Visual and Performing Arts, and between 2008-2010 won the Max Mara Art Prize for Women (London/Rome) and the Gasworks International Fellowship at SOMA, Mexico City. Rickards has presented exhibitions across the world, with recent solo-shows at Fogo Island Gallery, Fogo Island, Canada (2015); Modern Art Oxford (2014); Whitechapel Gallery, London, and Collezione Maramotti, Reggio Emilia, Italy.

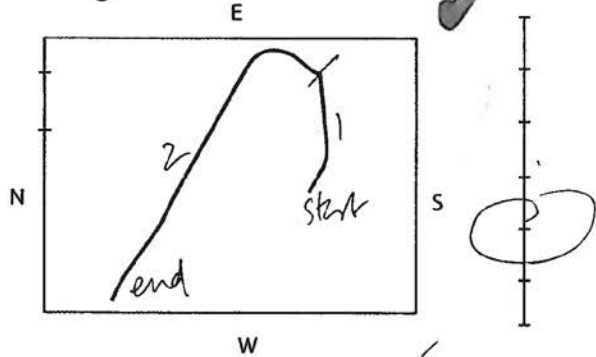
Publications on Rickard's work include *Grey light. Left and right back, high up, two small windows*, Sternberg Press/Fogo Island Arts, 2016 (authors: Melissa Gronlund, Will Holder, Alexandra McIntosh, Nicolaus Schafhausen, Hannah Rickards), and *To enable me to fix my attention on any one of these symbols I was to imagine that I was looking at the coours as I might see them on a moving picture screen.*, Modern Art Oxford, 2014 (authors: Paul Hobson, Sally Shaw, Isla Leaver-Yap, Hannah Rickards and Adam Chodzko)

Vid.-Selsk. Skr. I. M.-N. Kl. 1911. No. 17.

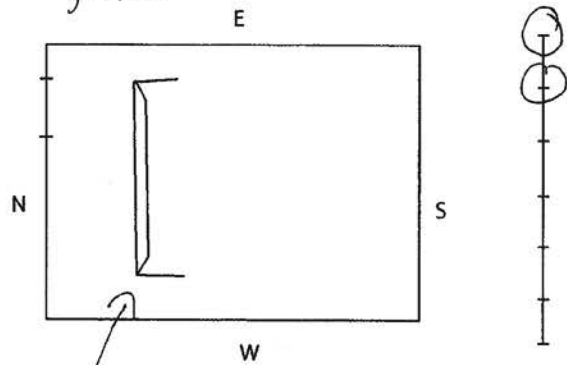
Taf. 62.



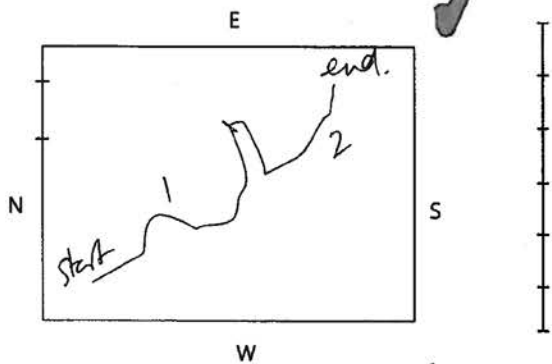
S W O O S H



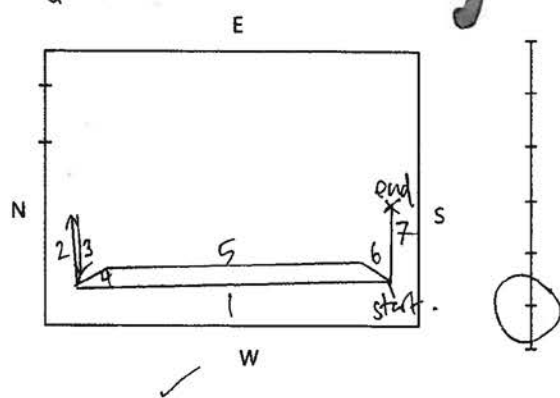
SNOWFIELD.
Same as below.



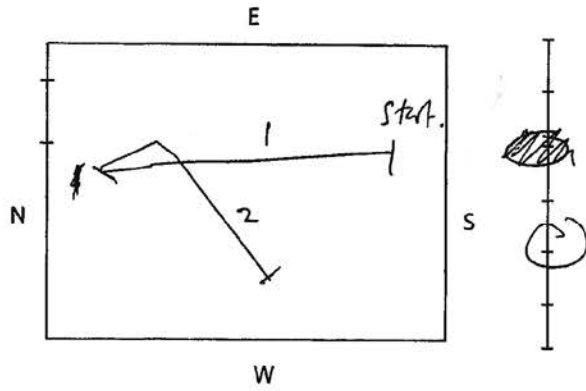
ANDREE ROUTE



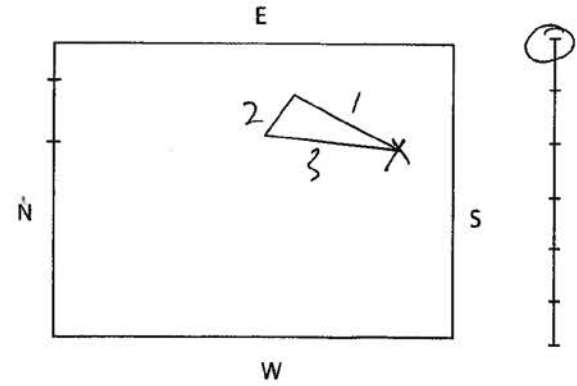
SNOWFIELD



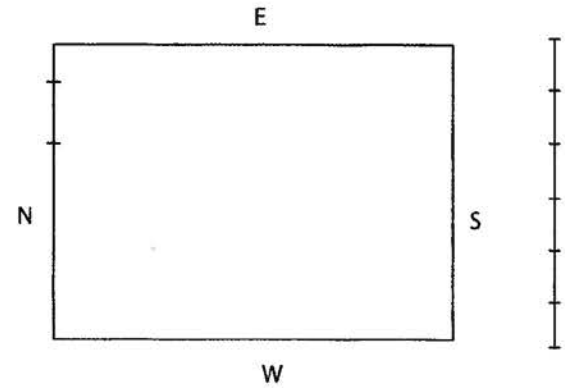
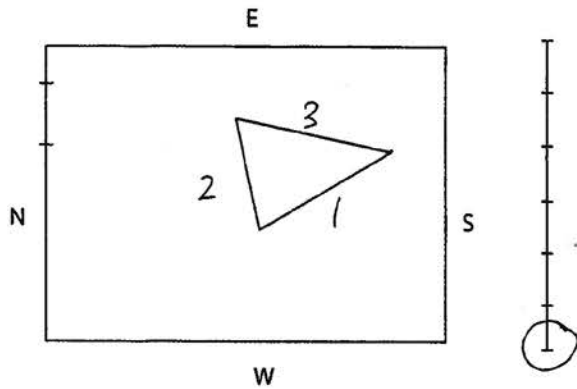
AERIAL FLIGHT 2A

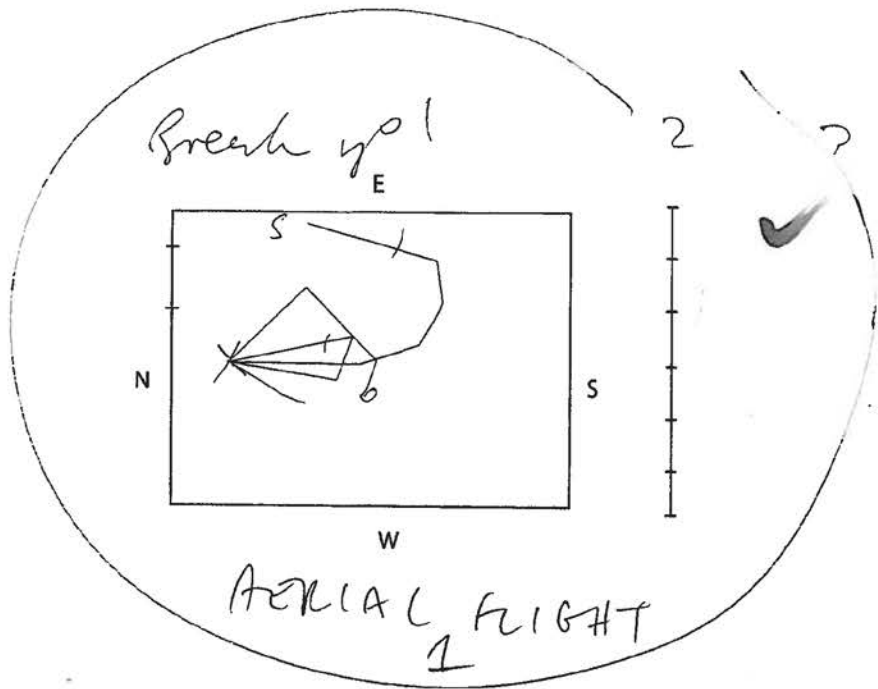


AERIAL FLIGHT 2B

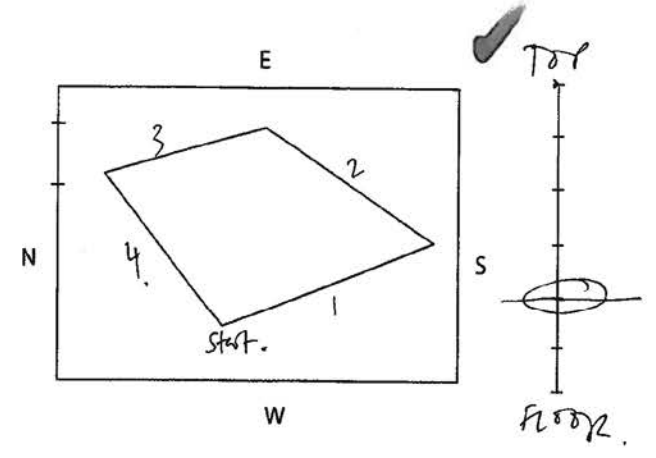


AERIAL FLIGHT 2C

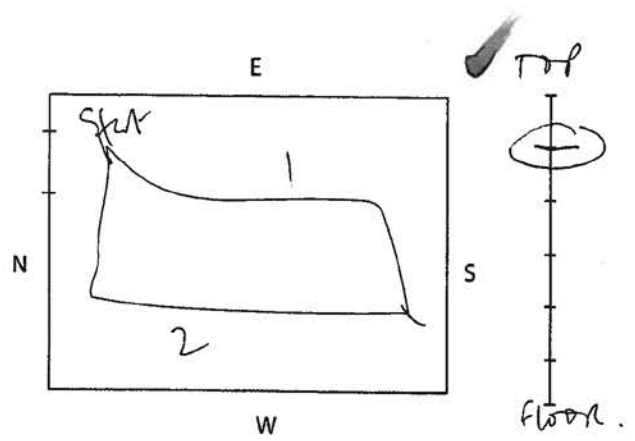




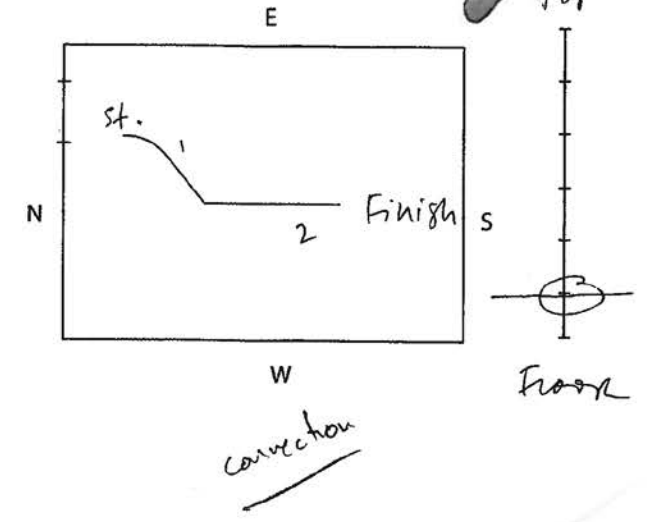
DIAMOND



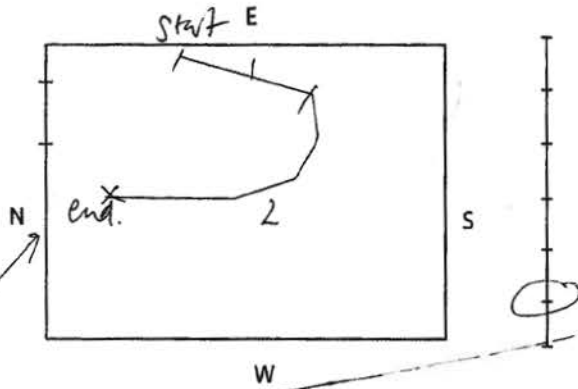
ICEBERG SMUDGE



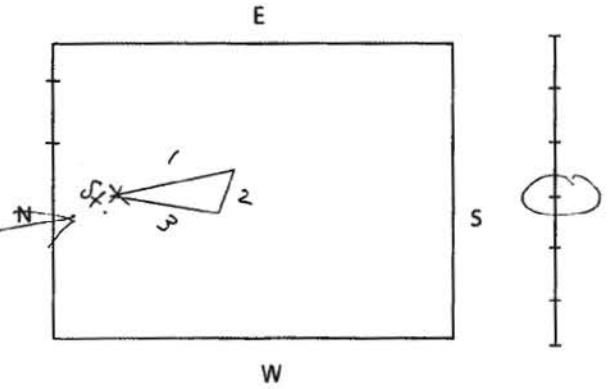
SHADOW GRAPH



AERIAL FLIGHT 1A ✓

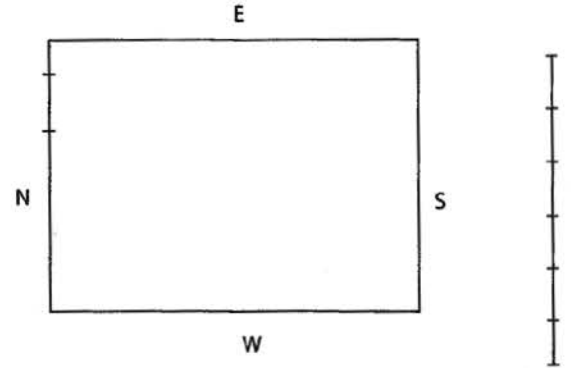
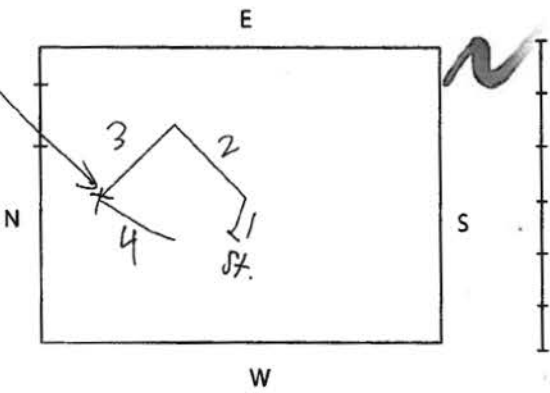


AERIAL FLIGHT 1B ✓



x - same point.

AERIAL FLIGHT 1C.



STAFF

Geoff Abbas / Director for Stage Technologies
Eric Ameres / Senior Research Engineer
Argeo Ascani / Curator, Music
Eileen Baumgartner / Graphic Designer
David Bebb / Senior Network Administrator
Peter Bellamy / Senior Systems Administrator
Michael Bello / Video Engineer
Victoria Brooks / Curator, Time-Based Visual Arts
Eric Brucker / Lead Video Engineer
Michele Cassaro / Guest Services Coordinator
John Cook / Box Office Manager
David DeLaRosa / Desktop Support Analyst
Zhenelle Falk / Artist Services Administrator
Ashley Ferro-Murray / Associate Curator, Theater & Dance
Kimberly Gardner / Manager, Administrative Operations
Johannes Goebel / Director
Ian Hamelin / Project Manager
Ryan Jenkins / Senior Event Technician
Shannon Johnson / Design Director
Carl Lewandowski / Production Technician
Eric Chi-Yeh Lin / Lead Stage Technician
Stephen McLaughlin / Senior Event Technician
Josh Potter / Marketing and Communications Manager
Alena Samoray / Event Technician
Candice Sherman / Senior Business Administrator
Avery Stempel / Front of House Manager
Kim Strosahl / Production Coordinator
Jeffrey Svatek / Audio Engineer
Dan Swalec / Master Electrician
Todd Vos / Lead Audio Engineer
Michael Wells / Production Technician